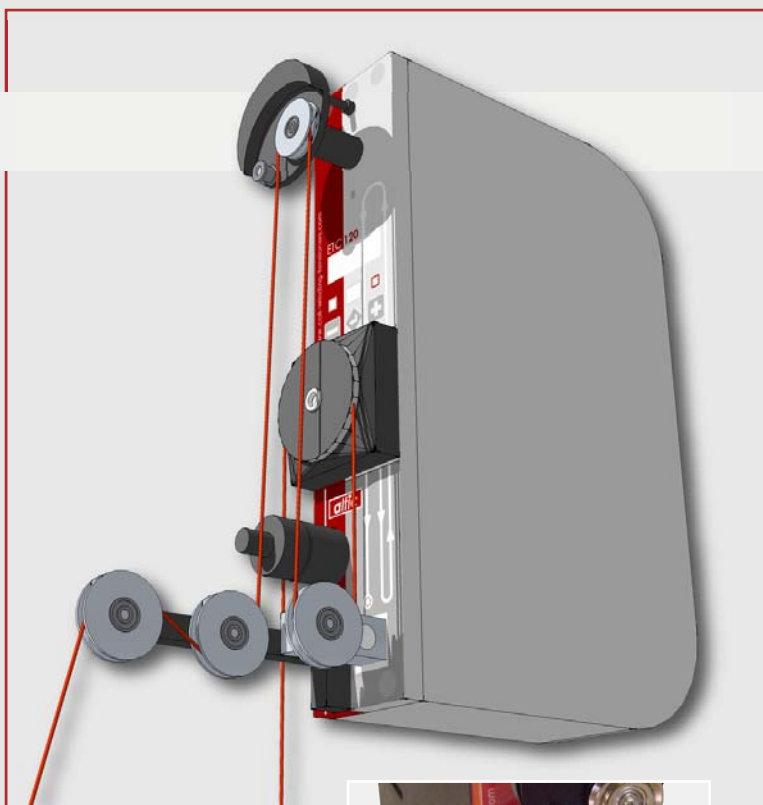


ETC SERIES

When Wire Tension accuracy and higher level of Quality control are the requisites of the coil winding production process, ALTIC's Electronic Tensioners are the ultimate solution.

Based on an up-to-date **closed loop force control system**, an exclusive **electro-mechanical Brake technology**, and including **high accuracy load cells**, Altic's electronic tensioners provide **high precision tension control** at an **affordable price**.



Offers

- ▶ Low profile frame (width < 46 mm)
- ▶ Digital display readout
- ▶ Operator interface through the front face keyboard or an external remote control
- ▶ Highly reliable braking technology
- ▶ Wire compensation up to 150 mm
- ▶ Easy setting-up
- ▶ Low consumption (< 1 Amp - 24 V DC)
- ▶ Broken wire signal output available
- ▶ External 0 → 10 V remote control option

ALTIC Wire Tensioners improve your competitiveness.

www.coil-winding-tensioners.com

- Closed loop control electro-mechanical brake
- Real time force tension feedback from a precision load cell
- Embedded microcontroller including an advanced PID regulator and providing additional automation functions and input-output data exchange

working range

- Wire Tension Range
80 → 250 cN ~ 80 → 250 gr
- Wire diameter
0.10 → 0.20 **AWG 38 → 32**
- Max. Linear speed
25 m/sec